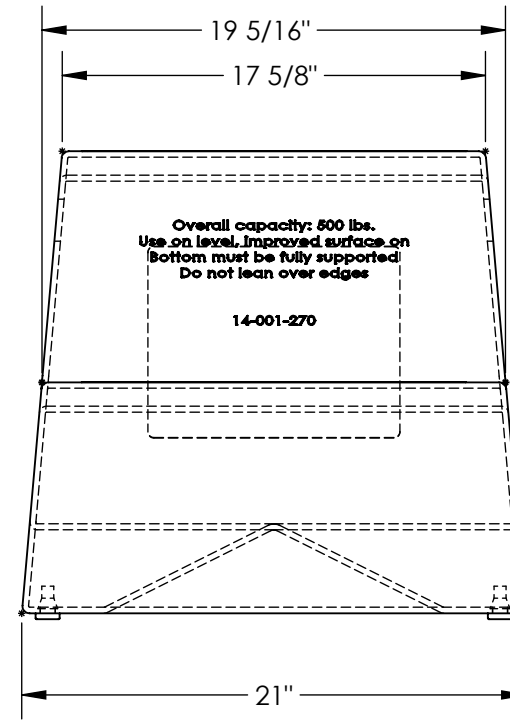
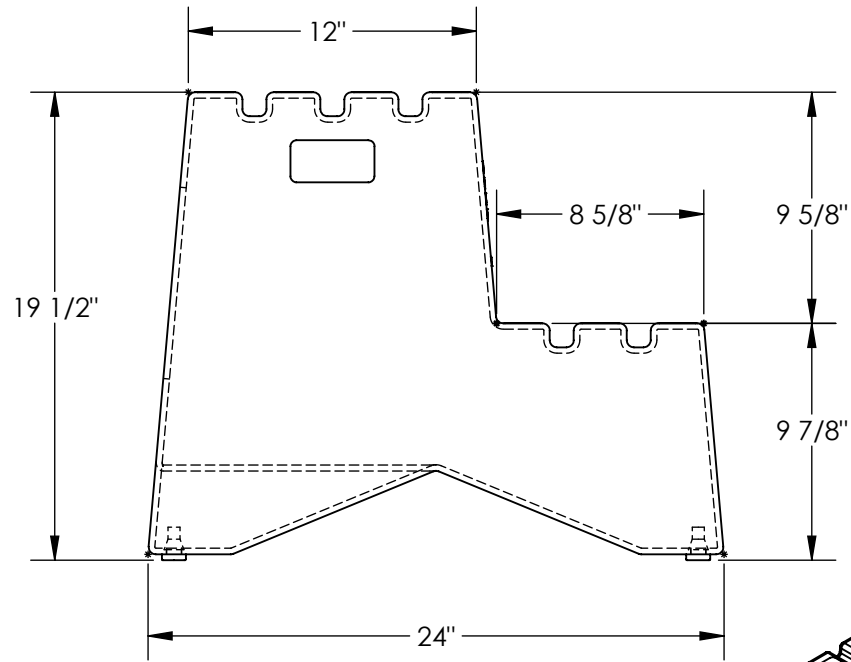


POLYETHYLENE STEP STOOL - VST-2-Y

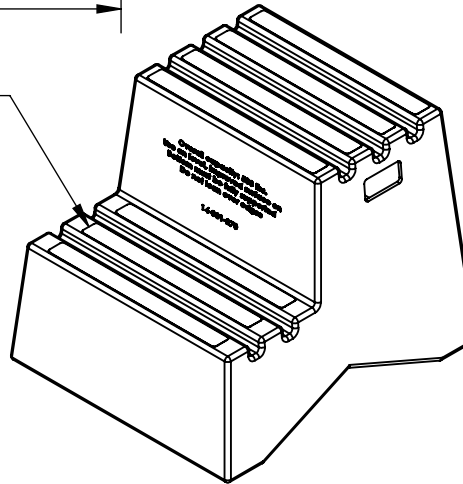
APPROX WEIGHT: 18.86 lbs.
 DOES NOT INCLUDE WEIGHT OF POWER OR PACKAGING!!!

*** ANY ADDITIONS, DELETIONS, OR OMISSIONS MUST BE CORRECTED ON THIS DRAWING AS THIS DRAWING WILL BE CONSIDERED ALL INCLUSIVE ***

ALL GRAPHICS PROVIDED ARE FOR REFERENCE ONLY. IF CERTAIN DIMENSIONS ARE CRITICAL PLEASE VERIFY THOSE DIMENSIONS WITH YOUR SALESPERSON



ANTI-SLIP TAPE



STANDARD FEATURES

- MODEL NUMBER IS VST-2-Y
- OVERALL WIDTH IS 21"
- OVERALL LENGTH IS 24"
- OVERALL HEIGHT IS 19 1/2"
- FIRST STEP IS 19 5/16" X 8 5/8"
- SECOND STEP IS 17 5/8" X 12"
- MAX CAPACITY IS 500LB
- MADE FROM YELLOW POLYETHYLENE
- COMES WITH ANIT-SLIP TAPE ON STEP SURFACE

SPECIAL FEATURES

NONE

DIMENSION TOLERANCE ± 1/4"

APPROVAL	I, THE UNDERSIGNED, AGREE THAT THE PRODUCT AS REPRESENTED SATISFIES DESIGN AND DIMENSION REQUIREMENTS. I ALSO ACKNOWLEDGE MY DUTY TO CONFIRM PRODUCT AND INSTALLATION COMPLIANCE WITH ALL APPLICABLE FEDERAL, STATE AND LOCAL REGULATIONS AND STANDARDS.	
	ANY MODIFIED UNITS ARE NON-RETURNABLE	
	[] As drawn [] As marked	
	Signed: _____	Date: _____
Printed Name: _____		
LEAD TIME WILL START UPON RECEIPT OF SIGNED APPROVAL DRAWING		

FOR INTERNAL USE ONLY PROJECT SIGN OFF	
SALES	
ENG.	
FAB.	
POWER	

DISTRIBUTOR'S NAME:		P.O.#
VESTIL MANUFACTURING		X
DRAWN BY: FS	DATE: 6/12/2014	W.O.#
REFERENCE: X	SCALE: 1:8	X
QUOTED LEAD TIME: X	QUOTE #	FILE NAME:
	X	14-007-270